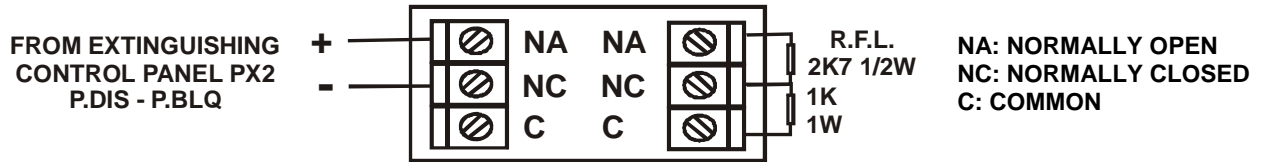


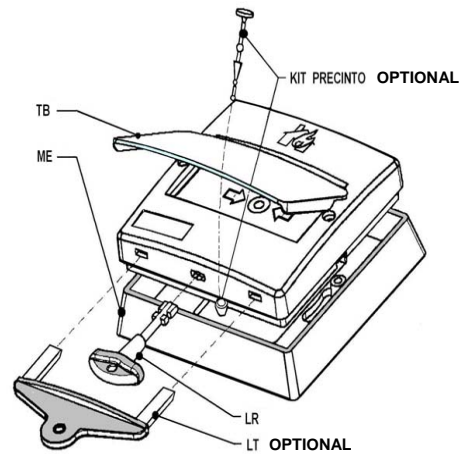
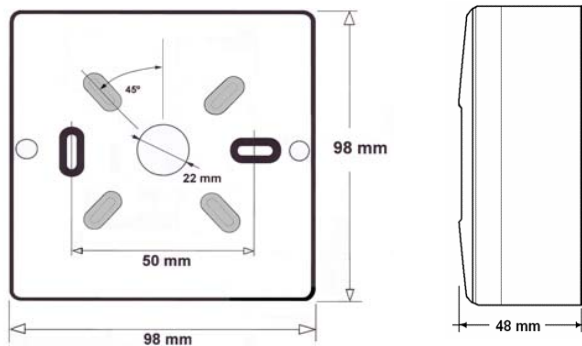
EXTINGUISHANT RELEASE PUSHBUTTON MOD. AE/V-PD2I
EXTINGUISHANT STOP PUSHBUTTON MOD. AE/V-PB2I
EMERGENCY PUSHBUTTON MOD. AE/V-PEI



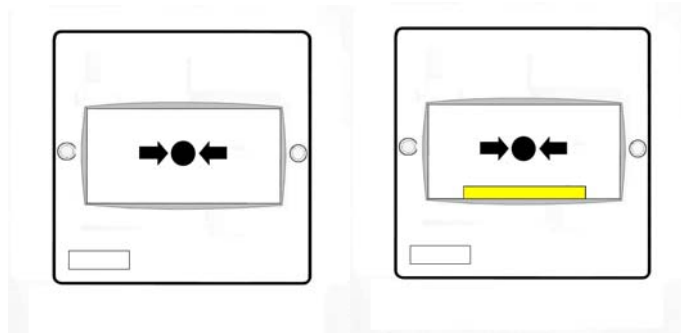
TECHNICAL CHARACTERISTICS

Class: T type A – Indoor installation.
Dimensions: 98 x 98 x 48 mm
Fixing screw: 2x (M3 x 35 mm)
Working temperature: -10° a 50° C
Storage temperature: -10° a 50° C
Max. humidity: 95 %

DIMENSIONS



ACTIVATION:



RESET

1° Insert the key

2° Turn the key 90° clockwise

3° Pull the key until reset the yellow flag

